



## ABOUT THIS WRECKER TOWING MANUAL

Ford Motor Company salutes and applauds the towing industry for many fine years of service to the automotive industry. We will continue to work to provide our customers with guidelines to help assist with safe and efficient towing.

This manual contains the latest towing procedures for Ford and Lincoln vehicles. Ford Motor Company has created easy-to-follow instructions with illustrations showing the correct hook-up to help prevent damage when towing.

New body effects and aerodynamic styling require new methods of towing to reduce the possibility of damage while in-tow. Wheel lifts or flatbed equipment are required to tow Ford Motor Company vehicles. Refer to the instructions given for the specific vehicle to be towed.

## NOTE, NOTICE AND WARNING

As you read through this manual, you may come across a **NOTE**, **NOTICE** or **WARNING**. Each one is there for a specific purpose: A **NOTE** calls attention to unique, additional or essential information related to the subject procedure. A **NOTICE** identifies a hazard that could damage the vehicle or property. A **WARNING** identifies a hazard to yourself or others that could result in severe injury or death.

## GENERAL TOWING INFORMATION



**WARNING:** When working with a vehicle that has been damaged or in an accident, always proceed with caution around undeployed airbags. As a precaution the airbag system should be disabled by disconnecting the battery in a safe manner.

**NOTICE:** Incorrect towing of a vehicle may result in damage to components such as the transmission/transaxle, transfer case, front or rear fascia, steering/suspension and exhaust. Always follow the specified towing procedures. It is recommended that only an unloaded vehicle be towed.

**NOTICE:** Prior to transporting a battery electric or hybrid electric vehicle that has experienced physical damage to the body, underbody or powertrain, refer to the Towing, Recovery and Storage of Damaged Ford Motor Company Electric and Hybrid-Electric Vehicles section of this guide.

**NOTICE:** Ford Motor Company does not recommend the use of slingbelts or tow bars, which may cause damage to the fascia, lower body panels, air dams and/or other components.

**NOTICE:** Always consult the tow equipment manufacturer for specific instructions on how to operate their equipment. If a vehicle has been modified, consult the equipment modifier or supplier for the specific towing instructions.

**NOTICE:** When a vehicle is towed over rough pitching roads, such as a crowned road at a railroad crossing, reduce the towing speed to avoid damaging the vehicle undercarriage.

**NOTICE:** Never hook a J-hook to any suspension, wheel or driveline component. Securing a vehicle using this method may cause damage to the vehicle.



**NOTICE:** On rough pavement or whenever the tow truck operator is not sure of road surface conditions, the maximum towing speed is 55 km/h (35 mph). To prevent damage to the vehicle, it is the tow equipment operator's responsibility to evaluate and adjust to the specific towing conditions.

**NOTE:** When towing the vehicle, turn the ignition to the OFF position to deactivate the airbag system.

**NOTE:** Disabling the airbag system when towing an undamaged vehicle as instructed in this manual is not necessary. Standard towing or recovery procedures will not cause airbag deployment.

- As a general rule tow the vehicle with the drive wheels off the ground. If the vehicle is towed on its drive wheels use tow dollies as indicated by the Model-Specific Transport Guidelines in this manual.
- When a vehicle is being towed with the front wheels on the ground, lock the steering wheel into place using an approved locking device.
- Do not use the steering column ignition lock to secure the wheels.
- When a vehicle is being towed with the rear wheels on the ground, the steering wheel must not be locked and must be free to rotate.

## PREPARATORY STEPS

1. Make sure the ignition is in the OFF position.

- Refer to Starting And Stopping the Engine section in the Owner's Guide for details on the keyless ignition system.

**NOTE:** The ignition must be in the OFF position to prevent accidental airbag deployment when transporting the vehicle.

**NOTE: Overriding Post Impact Braking** - You can override post impact braking by pressing the brake or accelerator pedal.

2. Release the parking brake.


- For vehicles equipped with an electronic parking brake, the ignition must be turned on to release the parking brake.
- If the battery is dead, jump start to supply power.


- If the parking brake cannot be released, use tow dollies or manually release the electronic parking brake as follows:



**WARNING:** Never get under a vehicle that is supported only by a jack. The jack could unintentionally lower. Always support the vehicle with floor stands. Failure to follow these instructions may result in serious personal injury.



 **WARNING:** Identify the correct jacking points by locating the triangle stamped into the uni-body sheet metal or vehicle frame. Raising a vehicle in any other location may result in vehicle shifting or falling. Failure to follow this instruction may result in serious personal injury.

 **WARNING:** Only raise the vehicle when positioned on a hard, level surface. Attempting to raise the vehicle on an uneven or soft surface may result in the vehicle slipping or falling from the jack or jackstand. Failure to follow this instruction may result in serious personal injury.

 **WARNING:** When jacking or lifting the vehicle, block all wheels remaining on the ground. Set the parking brake if the rear wheels will remain on the ground. These actions help prevent unintended vehicle movement. Failure to follow these instructions may result in serious personal injury.

**NOTICE:** The jack provided with the vehicle is intended to be used in an emergency for changing a deflated tire. To avoid damage to the vehicle, never use the jack to hoist the vehicle for any other purpose.

**NOTICE:** Do not attempt to use jack pressure on either the front bumper or the rear bumper on any vehicle. Damage to bumper covers will occur.

- a. Block the front wheels.
- b. Disconnect the electrical connector at the rear brake caliper.
- c. Remove the two 5 mm hex screws retaining the parking brake actuator motor.
- d. Twist the parking brake actuator motor to remove it from the rear brake caliper.
- e. Rotate the exposed ball screw driveshaft clockwise 120°.
- f. Repeat on other side.

3. Place the transmission/transaxle in N (Neutral).

- All Ford and Lincoln vehicles incorporate a brake-shift interlock feature that prevents shifting from P (PARK) unless the ignition is in the ON/ACC position and the brake pedal is pressed.
- Set the parking brake or block the wheels to prevent the vehicle from moving.

**NOTE:** If the battery is dead, jump start the vehicle to supply power.

For vehicles with a key:

- a. Press the brake pedal.
- b. Turn the key to the ON (II) position.
- c. Shift the transmission to the N position.
- d. Turn the ignition to the OFF position.

For vehicles with push button start:

- a. With the brake not pressed, press the start/stop button. This turns the ignition ON.
- b. Press the brake pedal.
- c. Shift the vehicle to N.
- d. Release the brake pedal.
- e. Press the start/stop button to turn the ignition OFF.

**NOTE:** If the gearshift lever cannot be moved out of P with the ignition in the ON/ACC position and the brake pedal pressed, refer to brake-shift interlock in the Transmission section of the Owner's Guide.



## FLATBED

1. When winching the vehicle onto the flatbed, care must be taken to avoid damaging the fascia, bumper, lower body panels and/or air dams.
  - Refer to the Model-Specific Transport Guidelines in this manual for winching locations.
  - Ramps or wooden blocks may be needed to gain enough clearance to winch the vehicle onto the flatbed.
  - It may be necessary to cover the cable or chain with a rag to prevent damage to the fascia.
  - Crossbeam/spacer blocks may be used to keep the cable from coming in contact with the air deflector.
  
2. To secure the vehicle:
  - Use a T-hook inserted in the appropriate tie-down slot as indicated in the Model-Specific Transport Guidelines in this manual.
  - 8-point basket or tire/wheel straps may also be used.
    - o The rated capacity must equal or exceed the vehicle weight at each tire.
    - o After installation always inspect the strap on the backside of the tire to make sure it is not contacting any brake, steering or suspension components.
  - Ford Motor Company does not recommend or approve securing a vehicle through the wheel or wheel spoke.
  - On vehicles equipped with an air suspension system, the air suspension service switch must be turned off prior to the vehicle being tied down. Refer to the Owner's Guide for the switch location.

## WHEEL LIFT

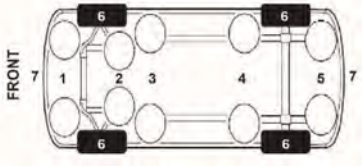
- When the vehicle is towed with the drive wheels on the ground, position dollies under the wheels if a distance of 80 km/h (50 mi) or a speed of 55 km/h (35 mph) is to be exceeded.
- Refer to the tow dolly manufacturer for equipment speed and weight limitations.
- Secure the vehicle to the wheel lift using safety chains equipped with T-hooks or safety hooks.

## TOWING SPEEDS AND DISTANCE

- Refer to the Model-Specific Transport Guidelines towing speed and distance limitations in this manual.
- Refer to the tow dolly manufacturer for speed and weight limitations.
- Towing speed should not exceed 80 km/h (50 mph).
- On rough pavement, the maximum towing speed is 55 km/h (35 mph).



**Model-Specific Transport Guidelines**



**Flatbed**  
Winch & Tie Down Points

**Front Wheel Lift**  
Without Tow Dolly  
Max Speed & Distance

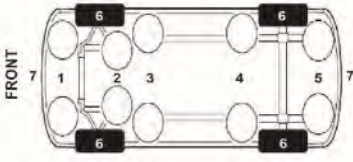
**Rear Wheel Lift**  
Without Tow Dolly  
Max Speed & Distance

Special Notes

CARS		Drivetrain	1 2 3 4 5 6 7	Front Wheel Lift	Rear Wheel Lift	Special Notes
Bronco Sport See Special Notes.	FWD		Winch: 2 Tie Down: 3 5 6	50 MPH Unlimited	Not Approved	See footnote M.
	AWD		Winch: 1 2 Tie Down: 3 5 6	Not Approved	Not Approved	
Bronco See Special Notes.	4x4		Winch: 2 Tie Down: 3 5	Not Approved	Not Approved	See footnote B.
Mach E See Special Notes.	RWD		Winch: 1 Tie Down: 6	Not Approved	Not Approved	If the vehicle has been in an accident or has been damaged, refer to Towing, Recovery and Storage of Damaged Ford Motor Company Electric and Hybrid – Electric Vehicles
	AWD		Winch: 1 Tie Down: 6	Not Approved	Not Approved	
Corsair	FWD		Winch: 1 Tie Down: 2 5 6	50 MPH Unlimited	Not Approved	See Footnote K, M.
	AWD		Winch: 1 Tie Down: 2 5 6	Not Approved	Not Approved	
Corsair Hybrid	FWD		Winch: 1 Tie Down: 6	50 MPH Unlimited	Not Approved	If the vehicle has been in an accident or has been damaged, refer to Towing, Recovery and Storage of Damaged Ford Motor Company Electric and Hybrid – Electric Vehicles
	AWD		Winch: 1 Tie Down: 6	Not Approved	Not Approved	
Ford GT			Refer to Addendum I - Ford GT Technical Instructions for Roadside Assistance - Contact Dealer or GT Concierge 1-800-210-5795 if additional assistance is required.			
Continental	FWD		Winch: 2 Tie Down: 3 4	50 MPH Unlimited	Not Approved	
	AWD		Winch: 2 Tie Down: 3 4	Not Approved	Not Approved	
Mustang	6-Sp Man		Winch: 2 Tie Down: 3 4	Not Approved	50 MPH Unlimited	
	6-Sp Auto		Winch: 2 Tie Down: 3 4	Not Approved	50 MPH Unlimited	
Mustang Mach 1			Winch: 2 Tie Down: 6	Not Approved	Not Approved	Transport on flatbed with wheel straps only. Boards or ramps are required for loading. See Footnote G.



**Model-Specific Transport Guidelines**



Flatbed	
Winch & Tie Down Points	

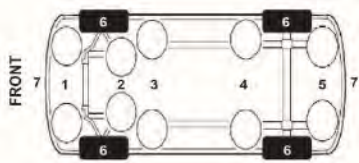
Front Wheel Lift	
Without Tow Dolly	Max Speed & Distance

Rear Wheel Lift	
Without Tow Dolly	Max Speed & Distance

SUVs		Drivetrain	1	2	3	4	5	6	7	Special Notes													
Edge	FWD	Winch: <table border="1"><tr><td>2</td><td></td><td></td><td></td><td></td><td></td></tr><tr><td>3</td><td>4</td><td></td><td></td><td></td><td></td></tr></table>	2						3	4											50 MPH Unlimited	Not Approved	See Footnote K.
	2																						
3	4																						
AWD	Tie Down: <table border="1"><tr><td>2</td><td></td><td></td><td></td><td></td><td></td></tr><tr><td>3</td><td>4</td><td></td><td></td><td></td><td></td></tr></table>	2						3	4										Not Approved	Not Approved			
2																							
3	4																						
Escape	FWD	Winch: <table border="1"><tr><td>1</td><td></td><td></td><td></td><td></td><td></td></tr><tr><td>3</td><td>5</td><td>6</td><td></td><td></td><td></td></tr></table>	1						3	5	6										50 MPH Unlimited	Not Approved	See Footnotes K, M.
	1																						
3	5	6																					
AWD	Tie Down: <table border="1"><tr><td>1</td><td></td><td></td><td></td><td></td><td></td></tr><tr><td>3</td><td>5</td><td>6</td><td></td><td></td><td></td></tr></table>	1						3	5	6									Not Approved	Not Approved			
1																							
3	5	6																					
Escape Hybrid See Special Notes.	FWD	Winch: <table border="1"><tr><td>1</td><td></td><td></td><td></td><td></td><td></td></tr><tr><td>3</td><td>5</td><td>6</td><td></td><td></td><td></td></tr></table>	1						3	5	6										50 MPH Unlimited	Not Approved	If the vehicle has been in an accident or has been damaged, refer to Towing, Recovery And Storage Of Damaged Ford Motor Company Electric And Hybrid - Electric Vehicles See Footnote M.
	1																						
3	5	6																					
AWD	Tie Down: <table border="1"><tr><td>1</td><td></td><td></td><td></td><td></td><td></td></tr><tr><td>3</td><td>5</td><td>6</td><td></td><td></td><td></td></tr></table>	1						3	5	6									Not Approved	Not Approved			
1																							
3	5	6																					
Expedition	4X2	Winch: <table border="1"><tr><td></td><td>3</td><td></td><td></td><td></td><td></td></tr><tr><td>1</td><td></td><td>5</td><td></td><td></td><td></td></tr></table>		3					1		5										Not Approved	Not Approved	See Footnotes A, B, L.
		3																					
1		5																					
4X4	Tie Down: <table border="1"><tr><td></td><td>3</td><td></td><td></td><td></td><td></td></tr><tr><td>1</td><td></td><td>5</td><td></td><td></td><td></td></tr></table>		3					1		5									Not Approved	Not Approved			
	3																						
1		5																					
Explorer	RWD	Winch: <table border="1"><tr><td>2</td><td></td><td></td><td></td><td></td><td></td></tr><tr><td>3</td><td>4</td><td></td><td></td><td></td><td></td></tr></table>	2						3	4											Not Approved	Not Approved	See Footnote L.
	2																						
3	4																						
AWD	Tie Down: <table border="1"><tr><td>2</td><td></td><td></td><td></td><td></td><td></td></tr><tr><td>3</td><td>4</td><td></td><td></td><td></td><td></td></tr></table>	2						3	4										Not Approved	Not Approved			
2																							
3	4																						
Explorer Hybrid See Special Notes.	RWD	Winch: <table border="1"><tr><td>2</td><td></td><td></td><td></td><td></td><td></td></tr><tr><td>3</td><td>4</td><td></td><td></td><td></td><td></td></tr></table>	2						3	4											Not Approved	Not Approved	If a hybrid vehicle has been in an accident or has been damaged, refer to Towing, Recovery And Storage Of Damaged Ford Motor Company Electric And Hybrid - Electric Vehicles
	2																						
3	4																						
AWD	Tie Down: <table border="1"><tr><td>2</td><td></td><td></td><td></td><td></td><td></td></tr><tr><td>3</td><td>4</td><td></td><td></td><td></td><td></td></tr></table>	2						3	4										Not Approved	Not Approved			
2																							
3	4																						
Ecosport	FWD	Winch: <table border="1"><tr><td></td><td></td><td></td><td></td><td></td><td>7</td></tr><tr><td></td><td>3</td><td>4</td><td></td><td></td><td></td></tr></table>						7		3	4										50 MPH Unlimited	Not Approved	Vehicle Equipped with recovery hook
						7																	
	3	4																					
AWD	Tie Down: <table border="1"><tr><td></td><td></td><td></td><td></td><td></td><td>7</td></tr><tr><td></td><td>3</td><td>4</td><td></td><td></td><td></td></tr></table>						7		3	4									Not Approved	Not Approved			
					7																		
	3	4																					
Nautilus	FWD	Winch: <table border="1"><tr><td>2</td><td></td><td></td><td></td><td></td><td></td></tr><tr><td>3</td><td>4</td><td></td><td></td><td></td><td></td></tr></table>	2						3	4											50 MPH Unlimited	Not Approved	See Footnote K.
	2																						
3	4																						
AWD	Tie Down: <table border="1"><tr><td>2</td><td></td><td></td><td></td><td></td><td></td></tr><tr><td>3</td><td>4</td><td></td><td></td><td></td><td></td></tr></table>	2						3	4										Not Approved	Not Approved			
2																							
3	4																						
Navigator	4X2	Winch: <table border="1"><tr><td></td><td>3</td><td></td><td></td><td></td><td></td></tr><tr><td>1</td><td></td><td>5</td><td></td><td></td><td></td></tr></table>		3					1		5										Not Approved	Not Approved	See Footnotes A, B, L.
		3																					
1		5																					
4X4	Tie Down: <table border="1"><tr><td></td><td>3</td><td></td><td></td><td></td><td></td></tr><tr><td>1</td><td></td><td>5</td><td></td><td></td><td></td></tr></table>		3					1		5									Not Approved	Not Approved			
	3																						
1		5																					
Aviator	RWD	Winch: <table border="1"><tr><td>2</td><td></td><td></td><td></td><td></td><td></td></tr><tr><td>3</td><td>4</td><td></td><td></td><td></td><td></td></tr></table>	2						3	4											Not Approved	Not Approved	See Footnote L.
	2																						
3	4																						
AWD	Tie Down: <table border="1"><tr><td>2</td><td></td><td></td><td></td><td></td><td></td></tr><tr><td>3</td><td>4</td><td></td><td></td><td></td><td></td></tr></table>	2						3	4										Not Approved	Not Approved			
2																							
3	4																						
Aviator Hybrid See Special Notes.	RWD	Winch: <table border="1"><tr><td>2</td><td></td><td></td><td></td><td></td><td></td></tr><tr><td>3</td><td>4</td><td></td><td></td><td></td><td></td></tr></table>	2						3	4											Not Approved	Not Approved	If a hybrid vehicle has been in an accident or has been damaged, refer to Towing, Recovery And Storage Of Damaged Ford Motor Company Electric And Hybrid - Electric Vehicles
	2																						
3	4																						
AWD	Tie Down: <table border="1"><tr><td>2</td><td></td><td></td><td></td><td></td><td></td></tr><tr><td>3</td><td>4</td><td></td><td></td><td></td><td></td></tr></table>	2						3	4										Not Approved	Not Approved			
2																							
3	4																						



**Model-Specific Transport Guidelines**



Flatbed
Winch & Tie Down Points

Front Wheel Lift
Without Tow Dolly
Max Speed & Distance

Rear Wheel Lift
Without Tow Dolly
Max Speed & Distance

Drivetrain
------------

1 2 3 4 5 6 7

Special Notes

Trucks			Winch:	Tie Down:	Front Wheel Lift	Rear Wheel Lift	Special Notes
E-Series			1 3	5	Not Approved	50 MPH Unlimited	See Footnotes A, C.
F-150/Raptor	4X2		1 3	4 6	Not Approved	50 MPH Unlimited	See Footnotes A, B, J.
	4X4	With 2H/4H/4L Transfer Case Switch	1 3	4 6	Not Approved	Not Approved	
		With 2H/4A/4H/4L Transfer Case Switch	1 3	4 6	Not Approved	Not Approved	
F-250/350/450/550 Single Rear Wheels Super Duty Stripped Chassis	4X2		1 3	5 6	Not Approved	50 MPH Unlimited	See Footnotes A, B, E, H.
	4X4	With 2H/4H/4L Transfer Case Switch	1 3	4 5 6	Not Approved	Not Approved	
		Manual Transfer case	1 3	4 5 6	Not Approved	Not Approved	
F-250/350/450/550 Dual Rear Wheels Super Duty Stripped Chassis	4X2		1 3	5 6	Not Approved	50 MPH Unlimited	See Footnotes A, B, C, E, H.
	4X4	With 2H/4H/4L Transfer Case Switch	1 3	4 5 6	Not Approved	Not Approved	
		Manual Transfer case	1 3	4 5 6	Not Approved	Not Approved	
Transit	RWD		1 3	5	50 MPH Unlimited	50 MPH Unlimited	See Footnotes A, C, M.
	AWD		1 3	5	50 MPH Unlimited	Not Approved	See Footnotes A, C, M.
Transit Connect			1 2	3 5	50 MPH Unlimited	Not Approved	See Footnote F, M.
Ranger	4X2		1 2	3 4 5	50 MPH Unlimited	Not Approved	
	4X4		1 2	3 4 5	Not Approved	Not Approved	



## TOWING, RECOVERY AND STORAGE OF DAMAGED FORD MOTOR COMPANY ELECTRIC AND HYBRID VEHICLES

**⚠ IMPORTANT:** Before proceeding, refer to the appropriate Emergency Response Guide (ERG), for additional vehicle handling and if needed high voltage (HV) battery depower instructions. These guides can be found at: [www.motorcraftservice.com](http://www.motorcraftservice.com), select quick guides, then select the appropriate vehicle emergency response guide.

In the event of damage or fire involving an Electric Vehicle (EV) or Hybrid-Electric Vehicle (HEV):

- Always assume the HV battery and associated components are energized and fully charged.
- Exposed electrical components, orange HV cables/wires and HV batteries present potential HV shock hazards.
- Venting/off-gassing of HV lithium ion battery vapors are potentially toxic and flammable.
- There is a potential for delayed fire or delayed release of toxic and/or flammable gases with lithium-ion batteries.

### Vehicle Shutdown and HV System Disabling

- Advise your dispatcher and all other responders that an electric or hybrid-electric vehicle is involved.
- Always approach the vehicle from the sides to stay out of potential travel path. It may be difficult to determine if the vehicle is running due to lack of engine noise.
- Place the vehicle into P (Park), set the parking brake, turn the vehicle off, activate hazard lights, and remove keys to a distance at least 16 ft (4.8 m) from the vehicle until loading the vehicle for transport.
- If you detect leaking fluids, sparks, smoke, flames, increased temperature, gurgling, popping or hissing noises from the HV battery compartment, ventilate the passenger area and call 911.

### Storing Hybrid and Electric Vehicles

- If the HV battery is confirmed or suspected of being physically damaged, notify an authorized Ford or Lincoln Dealer as soon as possible as there may be additional steps necessary to secure, discharge, handle, and/or store the HV battery and vehicle.
- Do not store a severely damaged vehicle with a lithium-ion battery inside a structure or within 50 ft (15 m) of any structure or vehicle.
- Make sure that passenger and cargo compartments remain ventilated.
- Prior to placing and while located in storage area/tow lot, continue to inspect vehicle for leaking fluids, sparks, smoke, flames, gurgling or bubbling sounds from the HV battery and call 911 if any of these are detected.
- Maintain clear access to stored vehicles for monitoring and emergency response if needed.

For specific information and safety preparation regarding the HV system, refer to: [www.motorcraftservice.com](http://www.motorcraftservice.com), select quick guides, then select the appropriate vehicle emergency response guide.





## Transport-Guideline Footnotes

<b>A</b>	Remove the driveshaft for front wheel-lift towing without a rear dolly. Always mark the location of the driveshaft to the attaching flange before removal so the driveshaft can be correctly indexed upon installation. Replace driveshaft attachment bolts with OEM bolts or bolts with threadlocking compound added to the original bolts.	<b>G</b>	
<b>B</b>	4X4/AWD vehicles require wheel dolly and wheels cannot be on the ground for wheel lift towing.		
<b>C</b>	Rear wheel lift towing may require a medium duty wrecker to accommodate the width of the dual rear wheels.	<b>H</b>	<p style="text-align: center;"><b>CROSSBEAM/SPACER BLOCKS</b></p> <p style="text-align: center;">MATERIAL – CROSSBEAMS ONE 4x4x60" LONG – ONE 4x4x48" LONG for F-Super Duty</p> <p style="text-align: center;">SPACER BLOCKS CAN BE FABRICATED AS SHOWN.</p> <p style="text-align: center;">MATERIAL-SPACER BLOCKS FOUR – 2x4x8" LONG TWO – 2x4x3-1/2" LONG EIGHT – 1/4x7" CARRIAGE BOLT EIGHT – 1/2" NUT SIXTEEN – 1/4" WASHER</p>
<b>D</b>	<p>Push Button Shift Procedure:</p> <ol style="list-style-type: none"> <li>1. Engage the parking brake or block wheels.</li> <li>2. Press and hold the override button in the center console using a tool.</li> <li>3. While holding, press any non-park gearshift button.</li> <li>4. Shift the transmission to N (Neutral).</li> </ol> <p>The electronic shifter requires 6.5 volts to operate. If the electronic shifter is inoperative, disconnect the shift cable and manually shift to N. Reconnect the shift cable and place in P (Park) upon arrival.</p>	<b>J</b>	<p style="text-align: center;"><b>V STRAP-FORGED CLUSTER HOOKS</b></p> <p style="text-align: center;">SPACER BLOCKS CAN BE FABRICATED AS SHOWN.</p> <p style="text-align: center;">MATERIAL-SPACER BLOCKS FOUR – 2x4x8" LONG TWO – 2x4x3-1/2" LONG EIGHT – 1/4x7" CARRIAGE BOLT EIGHT – 1/2" NUT SIXTEEN – 1/4" WASHER</p>
<b>E</b>	When loading a vehicle on a flatbed, crossbeam/spacer blocks must be used to keep the cable from coming in contact with the chin spoiler. The cross-beam/spacer blocks can be held in place on the frame using bungee cords.		
<b>F</b>	<p>Transit Connect:</p> <p>For the Front Wheel Drive (FWD) vehicles, towing with the front wheels on the ground is not approved.</p>		



## Transport-Guideline Footnote "K"

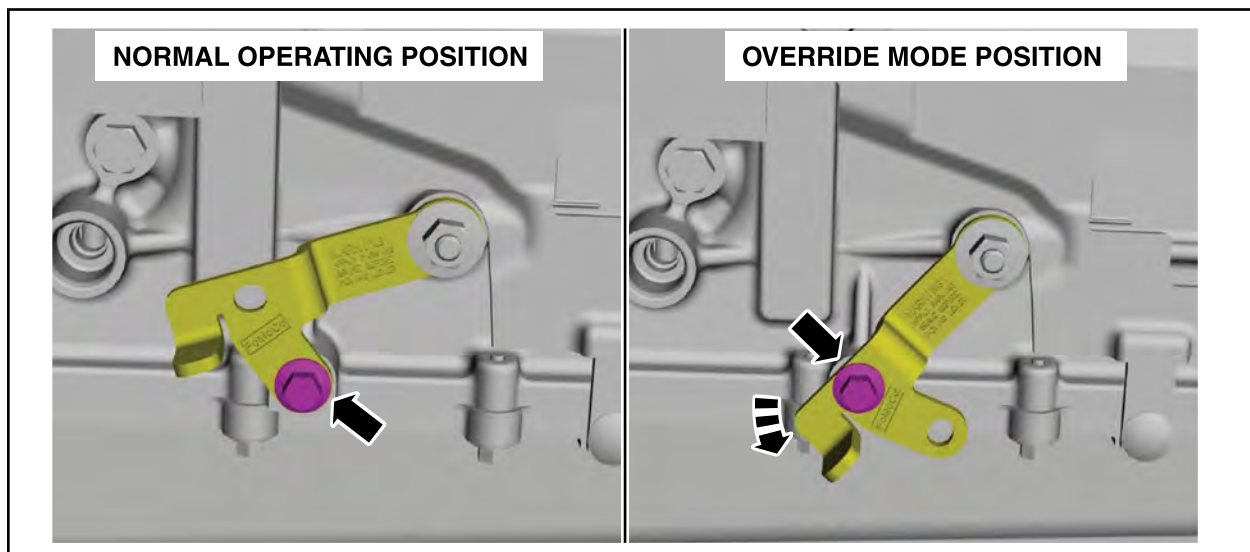
Please refer to the owner's manual for stay in neutral mode

- K** **NOTE:** Stay in neutral mode is a temporary vehicle state with the ignition off. Once in this mode, sufficient battery voltage must be maintained or your vehicle returns to park.  
**Do not tow your vehicle in this mode.**

## Transport-Guideline Footnote "L"

- L** To transport your vehicle it may be necessary to put the transmission in the MANUAL PARK OVERRIDE position, using the release lever on the side of the transmission. **IN MANUAL PARK OVERRIDE THE VEHICLE IS FREE TO MOVE AND PARK CAN NOT BE ENGAGED. SECURE VEHICLE PRIOR TO MANUALLY OVERRIDING PARK.**

1. Block wheels to prevent vehicle movement.
2. Remove bolt from manual override lever.
3. Move lever from Normal to Override position.
4. Re-install bolt and torque to 20 Nm (14.75 lb-ft) (bolt can be reused once).
5. Move vehicle as required.
6. Block wheels to prevent vehicle movement.
7. Remove bolt from manual park override lever.
8. Move lever from Override to Normal position.
9. Install new bolt and torque to 20 Nm (14.75 lb-ft) (lever must be secured with a fastener).



## Transport-Guideline Footnote "L" (Continued)

**L**

To assist in maneuvering the vehicle it may be possible to achieve Neutral Hold temporarily (without changing the transmission Manual Park Override position) with sufficient battery power. In this mode the vehicle is free to move. Secure vehicle prior to entering this mode. To enter **Stay in Neutral - No Start** follow the steps below:

### Stay in Neutral Mode – No Start

1. With the brake not pressed, press the start/stop button.
2. Step on brake pedal (keep brakes on through Step 6).
3. Press the accelerator pedal to the floor (hold through Step 6).
4. Rotate the gear selector to Neutral (N) and press the manual (M) button. For Lincoln vehicles with a push button gear select module press N twice.
5. Press then release the push to start button (transmission needs minimum of 2 seconds to exit park).
6. When N (neutral) is displayed the brake and accelerator pedals can be released.
7. To exit Stay in Neutral Mode - No Start, select a different gear.

**Required:** Do not tow your vehicle in this mode.

**NOTE:** Stay in neutral mode is a temporary vehicle state with the ignition off. Once in this mode, sufficient battery voltage must be maintained or your vehicle returns to park. **Do not tow your vehicle in this mode.**

## Transport-Guideline Footnote "M"

**M** The preferred method of flatbed tie down is tire/wheel strap securement.



## Addendum I - Ford GT Technical Instructions for Roadside Assistance

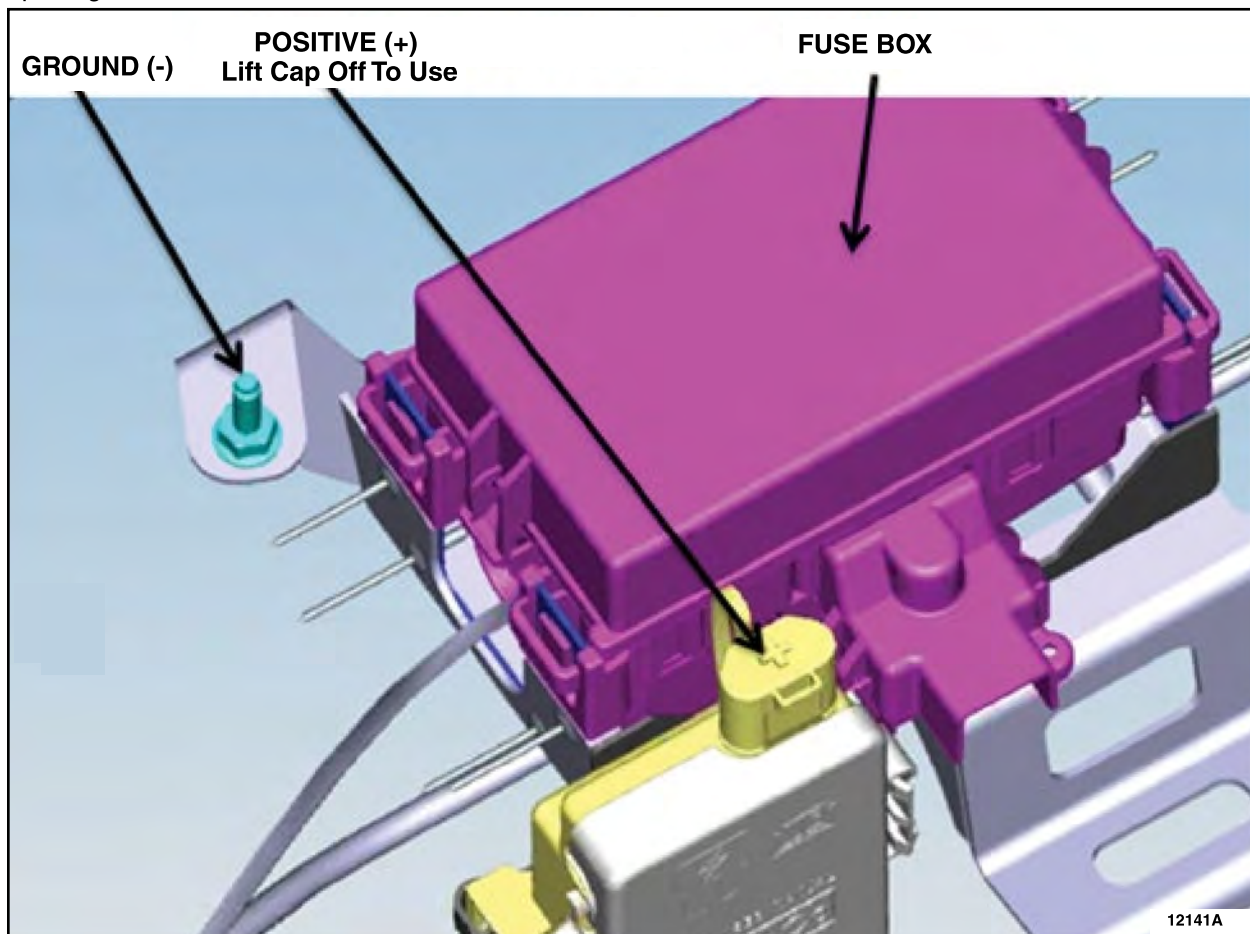
### Ford GT Technical Instructions for Roadside Assistance

#### Explanation about Ford GT Service Dealer network

Not all Ford dealerships will be certified to service the Ford GT. Contact the Ford GT Concierge to locate the nearest Certified Ford GT Service Dealership. Contact information can be found in the introduction portion of the owners guide.

#### Jump Start Instructions

The battery for the Ford GT is located inside the right front fender and is not directly accessible for jump starting. To jump start the vehicle, there are jump start posts located under the front hood. See the illustration below that shows the jump start locations. Note - The front hood release is in the driver's footwell area. If the vehicle is locked and the battery is dead, see the instructions on the next page for opening the driver's door.



## Addendum I - Ford GT Technical Instructions for Roadside Assistance (Continued)

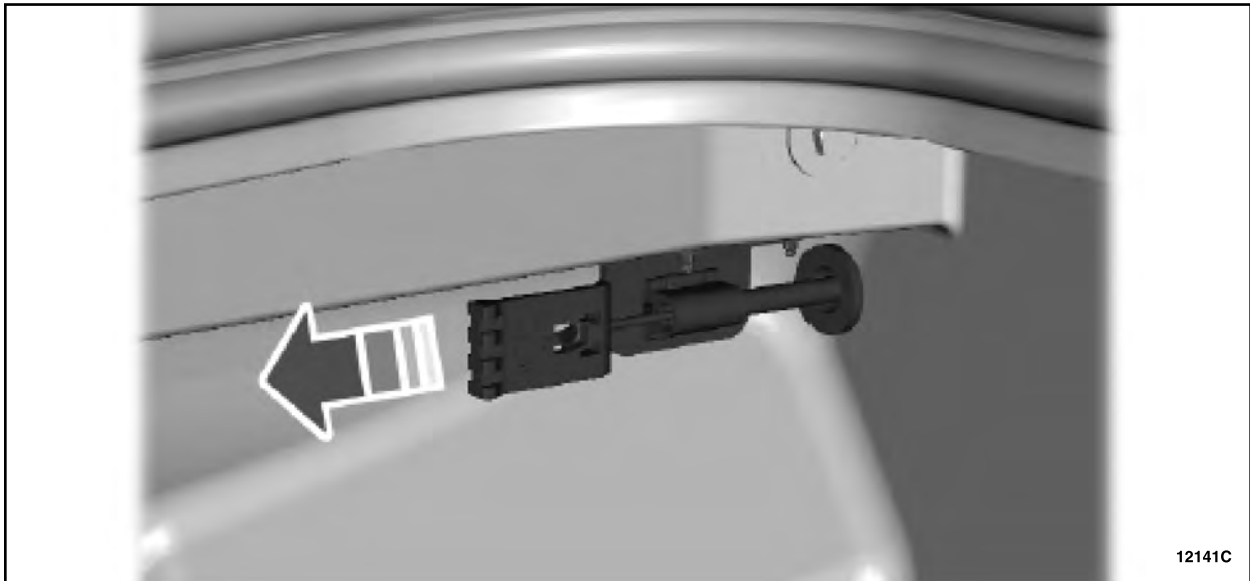
### Opening Drivers Door if Battery is Dead

There is a mechanical method to enter the vehicle.

1. Use the key to unlock the rear hatch. The mechanical key slides out of key fob.



2. Pull the manual door release to release the driver's door. This is located on the left side of the storage bin under the engine cover



3. Once the driver's door is open you can also access the hood release in the driver's side footwell to access the jump posts.



## Addendum I - Ford GT Technical Instructions for Roadside Assistance (Continued)

### Location and Use of Tow Hook

Each Ford GT includes a tow hook. The tow hook is located in the stowage bin under the rear hatch. To use the tow hook, screw it into the tow hook receiver located in the upper right hand side of the front grille. See illustration below.



### Flat Tires and Use of TMK (Tire Mobility Kit) – (if equipped)

Most Ford GTs are equipped with a Tire Mobility Kit (TMK). This TMK is located in the stowage bin under the rear hatch. To use the TMK, follow the detailed instruction provided in the owner's manual. If the GT with the flat tire must be moved to a safe location before the tire can be removed, first use the TMK air pump only to add enough air to the tire to move the vehicle.

**- Only use the tire sealant if absolutely necessary to get the vehicle to a safe location.**

If the GT with a flat tire is located in a safe location, such as the customer's garage, do not use the TMK. Have the Ford GT Service Dealer come to the vehicle and remove the flat tire and wheel using a low profile floor jack on one of the designated lift points. The dealer can repair or replace the tire as needed.

### Adding Fuel and Fuel Requirements

The Ford GT requires premium fuel. To add fuel, release the fuel filler door by unlocking the vehicle and pressing on the fuel door to release it. The Ford GT has a cap-less fuel filler neck. To add fuel, insert the funnel (provided in the stowage bin under the rear hatch) into the filler neck. Add fuel through the funnel. This will require a fuel container with a long spout to clear the buttress on the side of the vehicle. Take care not to spill any fuel onto the vehicle. If you do, clean it off immediately.



## Addendum I - Ford GT Technical Instructions for Roadside Assistance (Continued)

### Loading a Ford GT Onto a Roll-back or Trailer

The Ford GT can only be transported in an enclosed trailer or on a roll back flatbed truck. The ramp angle / angle of approach on Ford GT is 9°. Below are some ramp lengths required to achieve this angle depending on trailer / bed entrance height:

Height	Required ramp length
20 in (508 mm)	130 in (330.2 cm)
18 in (457.2 mm)	115 in (292.1 cm)
16 in (406.4 mm)	105 in (266.7 cm)
14 in (355.6 mm)	90 in (228.6 cm)
12 in (304.8 mm)	80 in (203.2 cm)

The Ford GT is equipped with a **front end lift feature** that uses the electronically controlled suspension hydraulics to lift the front of the vehicle. This feature is used for driveway approaches and speed bumps. If there is power to this system, use it to lift the front when loading the vehicle onto a trailer or a roll back. To operate the front lift, use the switch located on the top of the center console.

**NOTE:** The engine must be running to use this feature.

**NOTE:** The **ground clearance** on the vehicle at standard ride height is only **4.7 in (119.38 mm)**. Use care when moving or loading the vehicle to make sure it does not bottom out.

**NOTE:** The ride height is substantially lower in **Track** and **V-Max** drive modes. When loading the vehicle onto a trailer or roll back, Use the mode control button on the center console to place the vehicle in **Normal** drive mode. This will bring the vehicle to normal ride height.

**NOTE:** The Ford GT **doors swing both upward and outward**. At the full open position, the top edge of the door is 67 in (170.18 cm) from the ground and swings outward 26 in (660.4 mm). Make certain you have the needed clearance prior to opening the door.

The full under-trays of the Ford GT are carbon fiber, there are no tie down slots – **use only over the tire straps** to tie the vehicle down for transport.

### How to Release the Parking Brake

The parking brake must be released to move the vehicle or to place it onto a roll-back or trailer. The electric parking brake switch is located in the rear portion of the console. If the parking brake is applied, release it by using the switch. If the vehicle has no power and the parking brake is applied, use a jumper battery to provide power to the system, (see jump start instructions above), and then use the parking brake switch to release the brake.



## **Addendum I - Ford GT Technical Instructions for Roadside Assistance (Continued)**

### **Care of Wheels and Carbon Ceramic Brake Rotors**

The Ford GT is equipped with either **forged aluminum or carbon fiber wheels**. In either case, these wheels are very expensive. Take extra care when handling these wheels.

**Never place a hold down strap through one of these wheels unless the wheel is already damaged from a collision.**

The front and rear brake discs on the Ford GT are **Carbon Ceramic**. These discs are **VERY** expensive. Never rest the vehicle on the discs or drag the vehicle on these brake discs.

### **Care with Interior Fabrics**

The seating, door trim, console trim and instrument panel trim on the Ford GT are a combination of carbon fiber, Alcantara suede cloth, and fine leather. **Placing protection on the floor and seating surfaces is a requirement.**

**If you have to enter the car, make certain that your hands are clean and your clothing is clean.**

**Placing protection on the floor and seating surface is a good precaution.**



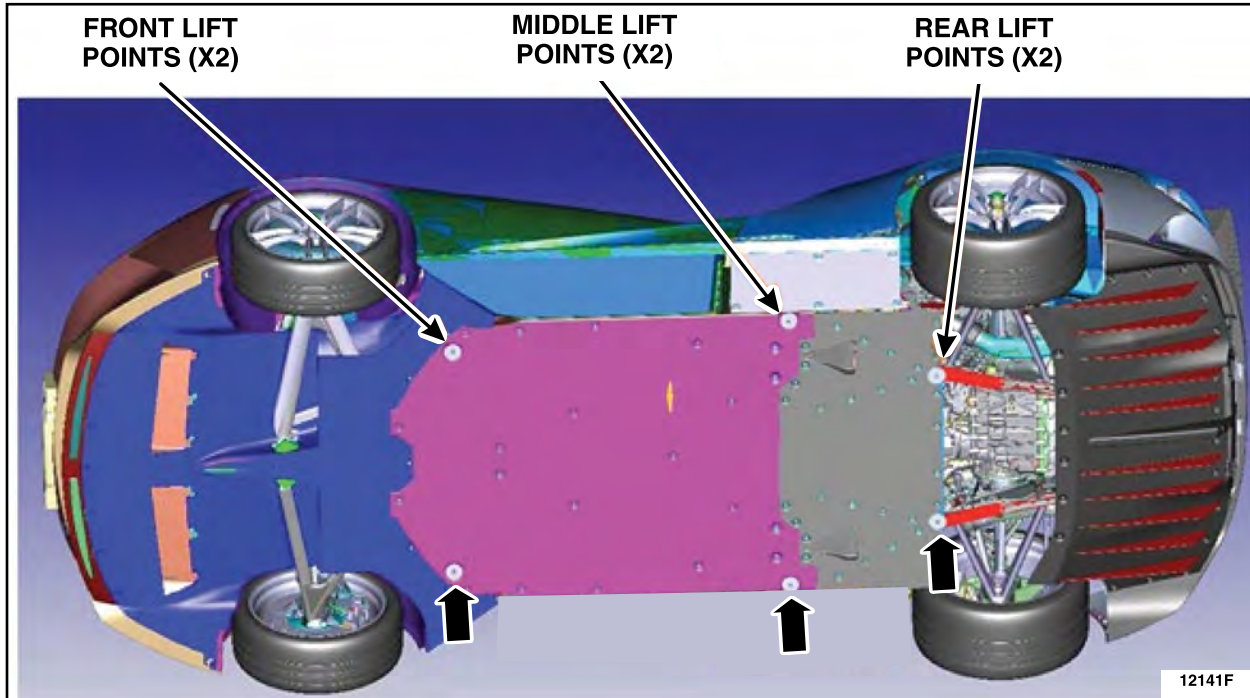


## Addendum I - Ford GT Technical Instructions for Roadside Assistance (Continued)

### Vehicle Lift Points – (for information only)

Lift points – There is a full carbon fiber underbody on the Ford GT for aerodynamics. There are six alloy discs for lift points that are flush with the carbon fiber under tray panels, (see illustration). If the vehicle must be lifted for some reason, only place the jack on one of the alloy lift points. Do **NOT** lift on the carbon fiber panels since the panel can mar or fracture. A hockey puck is a perfect interface between the jack and the alloy disc since a puck is approximately the same diameter as the alloy disc.

- Use of GoJak wheel dollies – if the vehicle must be lifted and rolled on wheel dollies, the perfect tool for this purpose are GoJak 4520 wheel lift dollies. These 20 in (50.8 cm) dollies fit well under the vehicle and allow for 3 in (76.2 mm) of lift.



## Addendum I - Ford GT Technical Instructions for Roadside Assistance (Continued)

### How to Put the Transaxle into Neutral

The transaxle must be placed into “Neutral” to be able to load the vehicle onto a trailer or onto a roll-back. Once the vehicle is placed in neutral, extra care must be followed to ensure the vehicle does not roll. If the vehicle has battery power, you can use the electric parking brake for this purpose. The Ford GT transaxle will automatically go into Park position when the engine is shut off or if one of the vehicle doors is opened. There are specific procedures required to place the transaxle into Neutral as follows:

**Determine vehicle condition and towing method using the chart below, then reference appropriate procedure:**

<b>Can start, and run safely, Vehicle can drive under its own power</b>	<b>Refer to Typical Towing Method - OR - Stay in Neutral mode</b>
<b>Can start, and run safely, vehicle cannot drive under its own power</b>	<b>Refer to Stay in Neutral mode - OR - Using the Neutral Tool</b>
<b>Cannot start, but vehicle has electrical power</b>	<b>Refer to Using the Neutral Tool</b>
<b>Cannot start, has no electrical power, vehicle can get power when jumper cables are installed</b>	<b>Refer to Using the Neutral Tool</b>
<b>Vehicle cannot start, has no electrical power, vehicle will not come to life when jumper cables are applied</b>	<b>Refer to No Start No Power</b>



## Addendum I - Ford GT Technical Instructions for Roadside Assistance (Continued)

### Typical Towing Method

1. Start the vehicle, disengage the electric park brake and drive the vehicle onto the flat bed tow truck or trailer
2. Shift the vehicle into Park (P), Turn off the vehicle, the park brake will automatically engage

### Stay in Neutral Mode

**NOTE:** Stay in Neutral mode allows the vehicle to stay in neutral when you exit your vehicle. Your vehicle must be stationary to enter this mode.

1. Appropriately install wheel chocks, ensure clearance around the vehicle, install the tow strap and prepare the vehicle for towing.
2. Start the vehicle.
3. Move the transmission selector to Neutral (N).
4. Press the Manual (M) button in the center of the shifter control to enter Stay in Neutral mode.

**NOTE:** A message appears in your information display when your vehicle has entered Stay in Neutral mode.

5. Disengage the electric park brake, turn the vehicle off, and exit the vehicle.

**NOTE:** The Vehicle will stay in Neutral for 30 minutes. Timer will display on the instrument cluster.

6. While ensuring the vehicle does not roll carefully remove the wheel chocks, tow the vehicle onto the flat bed tow truck or trailer.
7. Exit Stay in Neutral mode by shifting the vehicle to Park (P) and apply the parking brake.



## Addendum I - Ford GT Technical Instructions for Roadside Assistance (Continued)

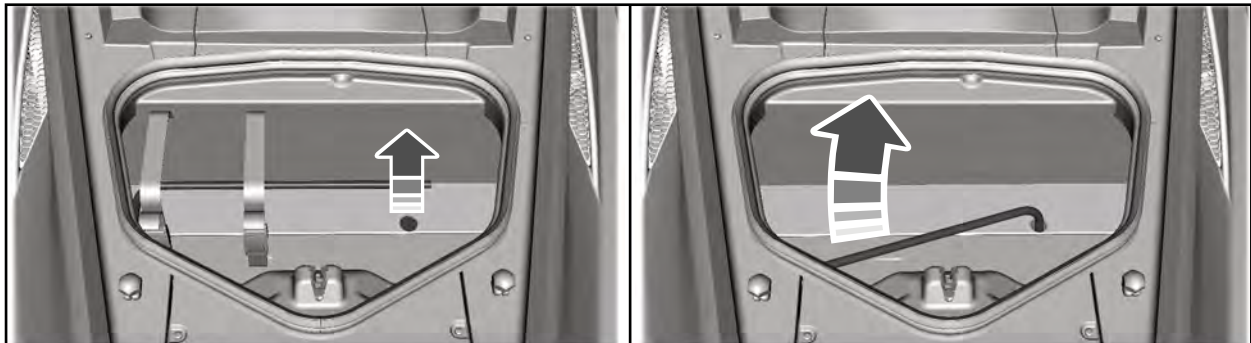
### Using the Neutral Tool

**NOTE:** The transaxle neutral tool is located in the stowage compartment under the rear hatch.

1. If needed use a jump box or jumper cables, apply power to the jump posts under the front hood.
2. Ensure clearance around the vehicle, install the tow strap and prepare the vehicle for towing.
3. Turn the ignition to accessory mode.
4. Disengage the electric park brake.
5. Open the rear hatch, remove everything from the trunk.
6. Remove the black rubber plug in the floor of the trunk.
7. Install the transmission park override tool through the hole in the trunk on to the splined shaft.
8. Rotate the tool clockwise approximately 30° (this will not require much force and it will reach stop when it reaches full position).

**NOTICE: DO NOT TRY TO START THE VEHICLE WITH THE TOOL ENGAGED. THIS CAN RESULT IN TRANSMISSION FAULTS.**

9. The tool must be held in position while you tow the vehicle on to the flat bed tow truck or trailer.
10. Remove the tool and stow everything back in the trunk.
11. Shift the vehicle back to Park, re-engage the park brake.



## Addendum I - Ford GT Technical Instructions for Roadside Assistance (Continued)

### No Start No Power

**NOTE:** There is no way to manually disengage the electric park brake, so the rear wheels will be locked if there is no way to apply power to the battery.

1. Appropriately install wheel chocks, ensure clearance around the vehicle, install the tow strap and prepare the vehicle for towing.
2. Using a rear wheel tire lift such as a Go-Jack wheel dolly, raise the rear tires off the ground.
3. Load the vehicle for towing.

