

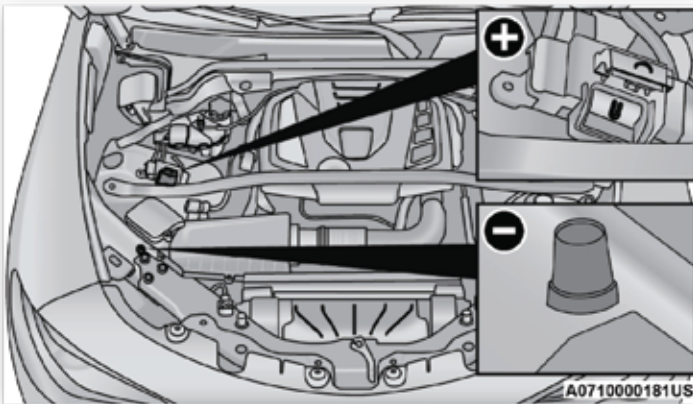
# 2021 Alfa Romeo Stelvio

## Remote Battery Connection Posts



Your vehicle is equipped with remote battery connection posts for jump starting. Depending on the vehicle model, remote post locations may vary.

### Non Quadrifoglio Model



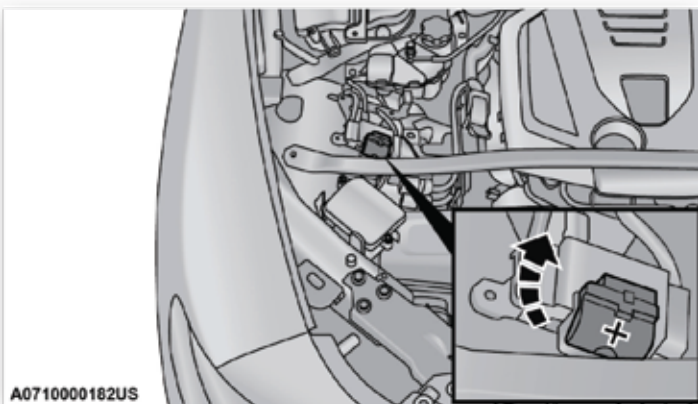
Remote Battery Post Locations

The remote jump starting battery posts can be found inside the engine compartment.

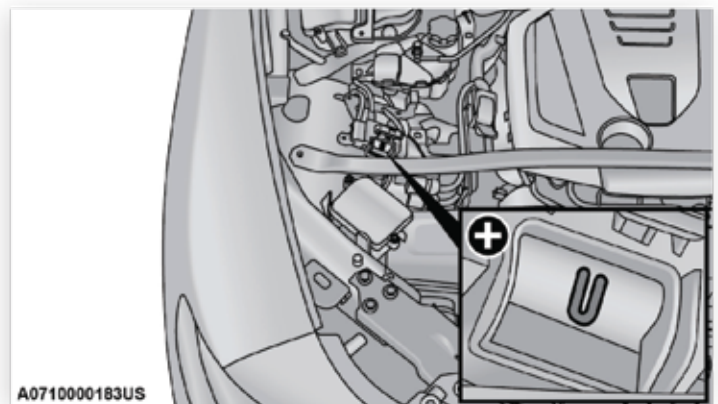
Remote Positive (+) Post

Remote Negative (-) Post

The remote positive (+) post is located above the engine stabilizer bar, which can be accessed by opening the spring loaded protective flap.



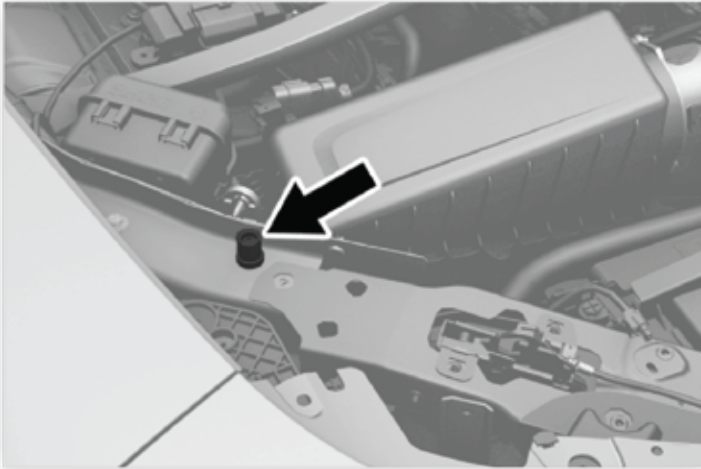
Remote Positive (+) Protective Flap



Remote Positive (+) Post



The remote negative (-) post is an exposed stud, positioned next to the passenger side hood lock on the upper frame rail.



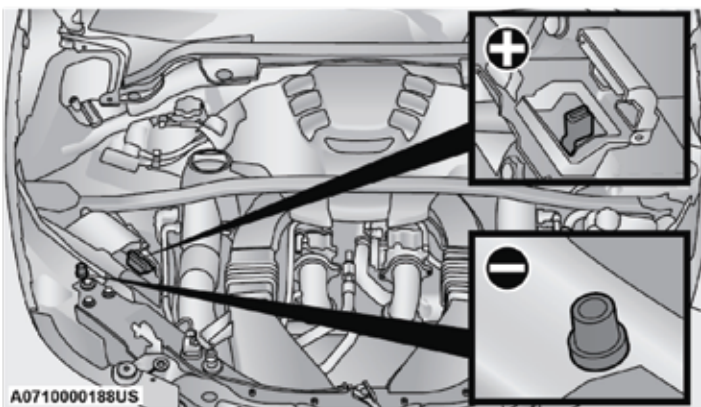
Remote Negative (-) Post Location

**WARNING:**

Do not connect the jumper cable to the negative (-) post of the discharged battery. The resulting electrical spark could cause the battery to explode and could result in serious injury. Only use the specific ground point, do not use any other exposed metal parts.

To carry out the operation, you need to have the correct cables to connect to the battery of another vehicle or a portable battery booster pack to the remote posts of the discharged battery. Usually, these cables have terminals at the ends and are identified by different sheath colors (red = positive, black = negative).

**Quadrifoglio Model**



Remote Battery Post Locations

Remote Positive (+) Post

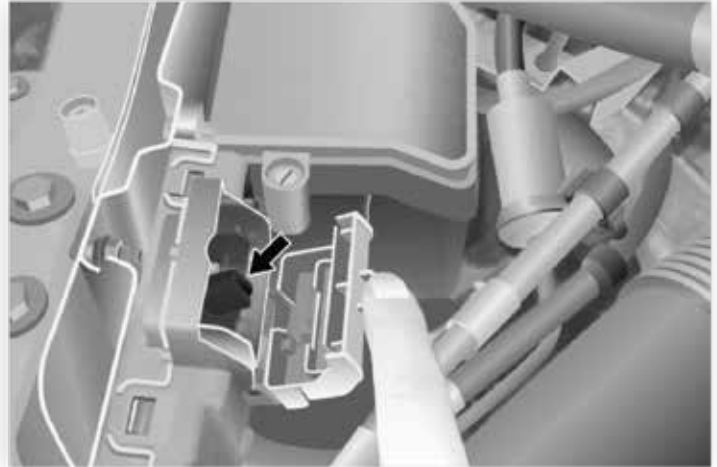
Remote Negative (-) Post



The remote positive (+) post is located next to the passenger side hood lock on the inside of the upper frame rail, and can be accessed by removing the protective flap.



Remote Positive (+) Protective Flap



Remote Positive (+) Post Location

The remote negative (-) post is an exposed stud, positioned next to the passenger side hood lock on the upper frame rail.



Remote Negative (-) Post Location

**WARNING:**

Do not connect the jumper cable to the negative (-) post of the discharged battery. The resulting electrical spark could cause the battery to explode and could result in serious injury. Only use the specific ground point, do not use any other exposed metal parts.

To carry out the operation, you need to have the correct cables to connect to the battery of another vehicle or a portable battery booster pack to the remote posts of the discharged battery. Usually, these cables have terminals at the ends and are identified by different sheath colors (red = positive, black = negative).