



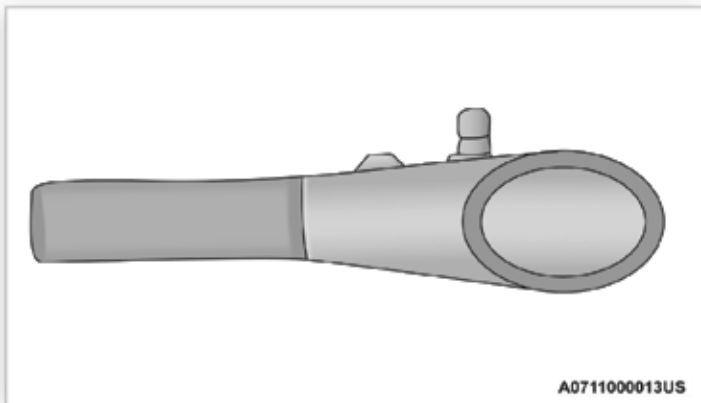
2021 Jeep Grand Cherokee L

Refueling in Emergency – If Equipped



The vehicle is equipped with a refueling funnel for a Capless Fuel System. If refueling is necessary, while using an approved gas can, please insert the refueling funnel into the filler neck opening.

Note: *In certain cold conditions, ice may prevent the fuel door from opening. If this occurs, lightly push on the fuel door to break the ice buildup. Re-release the fuel door by pushing on the rear outer edge near the center to unlatch. Do not pry on the door.*



Refueling Funnel

CAUTION:

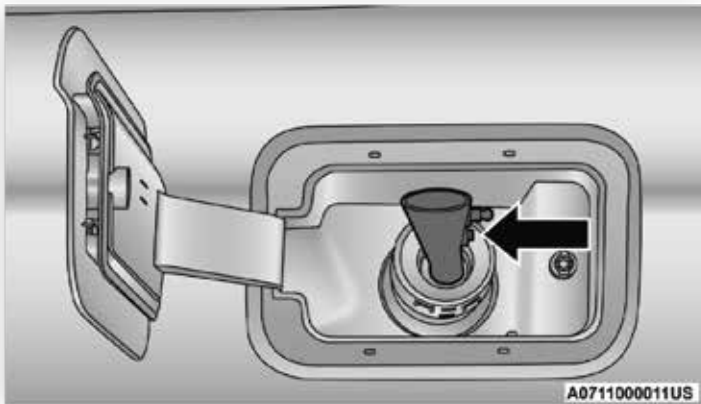
To avoid fuel spillage and overfilling, do not “top off” the fuel tank after filling.

EMERGENCY GAS CAN REFUELING

Most gas cans will not open the flapper doors. A funnel is provided to allow emergency refueling with a gas can.

See below steps for refueling:

- 1 Retrieve funnel from the spare tire storage area.
- 2 Insert funnel into same filler pipe opening as the fuel nozzle.



Inserting Funnel

- 3 Ensure funnel is inserted fully to hold flapper doors open.
- 4 Pour fuel into funnel opening.
- 5 Remove funnel from filler pipe, clean off prior to putting back in the spare tire storage area.
- 6 Close the fuel door making sure the latch is engaged by pushing on the rear outer edge near the center.

WARNING:

- Never have any smoking materials lit in or near the vehicle when the fuel door is open or the tank is being filled.
- Never add fuel when the engine is running. This is in violation of most state and federal fire regulations and may cause the Malfunction Indicator Light to turn on.
- A fire may result if fuel is pumped into a portable container that is inside of a vehicle. You could be burned. Always place fuel containers on the ground while filling.