

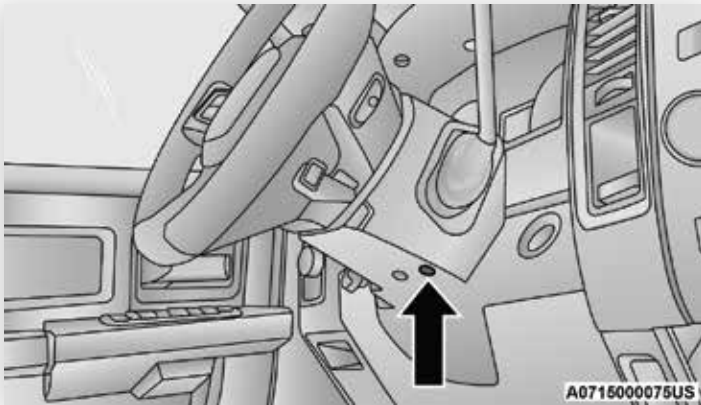


2021 Ram 3500/4500/5500

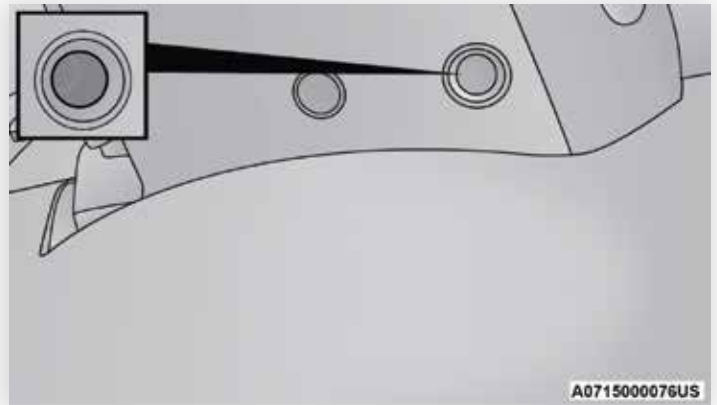
Gear Selector Override - 6-Speed Transmission

In order to move the vehicle in cases where the transmission will not shift out of PARK (P) (such as a depleted battery), a Manual Park Release is available.

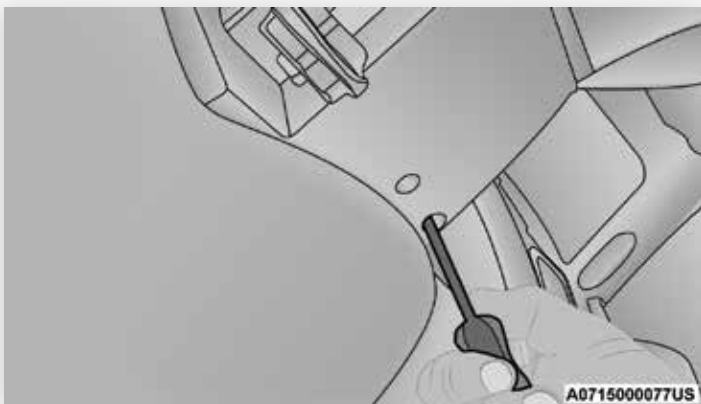
- 1 Turn the engine OFF.
- 2 Firmly apply the parking brake.
- 3 Tilt the steering wheel to the full up position.
- 4 Press and maintain firm pressure on the brake pedal.
- 5 Insert a screwdriver or similar tool into the access port (ringed circle) on the bottom of the steering column, and push and hold the override release lever up.



Gear Selector Override Access Port Location



Gear Selector Override Access Port



Engaging The Access Port

- 6 Move the gear selector to the NEUTRAL position.
- 7 The vehicle may then be started in NEUTRAL.