

2021 Ram 3500/4500/5500

Preparations for Jacking

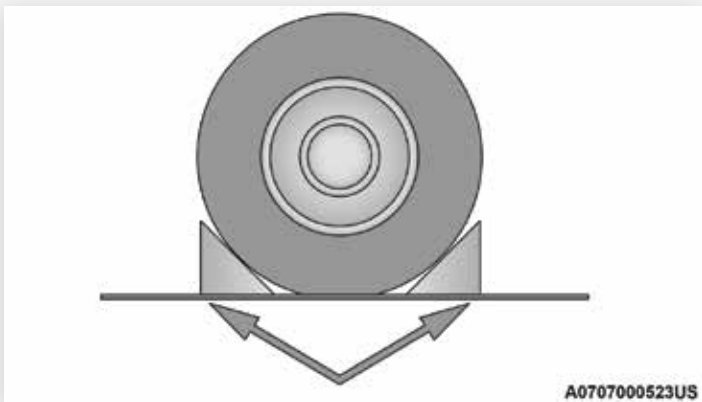


- ① Park the vehicle on a firm, level surface. Avoid ice or slippery areas.

WARNING:

Do not attempt to change a tire on the side of the vehicle close to moving traffic. Pull far enough off the road to avoid being hit when operating the jack or changing the wheel.

- ② Place the gear selector into PARK. On four-wheel drive vehicles, shift the transfer case to the 4WD Low position.
- ③ Turn on the Hazard Warning Flashers.
- ④ Apply the parking brake.
- ⑤ Turn the ignition OFF.
- ⑥ Block both the front and rear of the wheel diagonally opposite the jacking position. For example, if the driver's front wheel is being changed, block the passenger's rear wheel.



Wheel Blocked

Note: Passengers should not remain in the vehicle when the vehicle is being jacked.