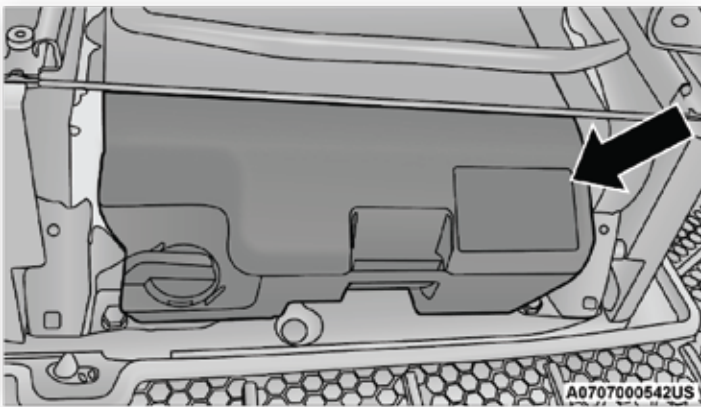


# 2021 Ram Promaster

## Jack Location



The jack and jack tools are stored under the front passenger seat in a box, or next to or behind the driver seat in a tool bag. The box and the tool bag contain the same items.

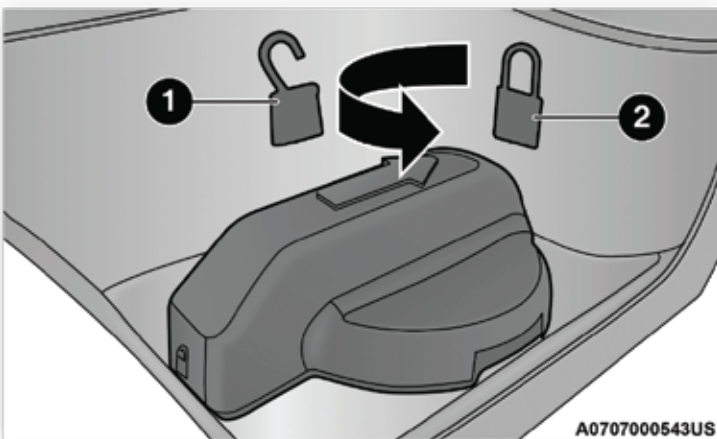


Jack Kit Location

To release the jack kit from its storage location, turn the lock knob a quarter turn counterclockwise to the unlock position.

**CAUTION:**

Do not force lock knob over limit. Damage to lock knob may occur.

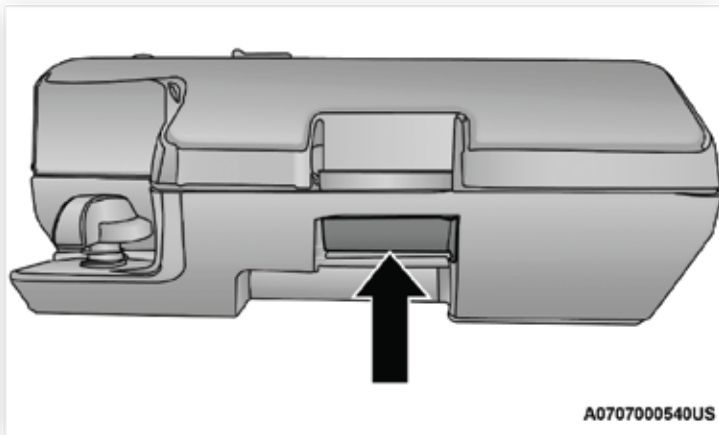


Lock Knob

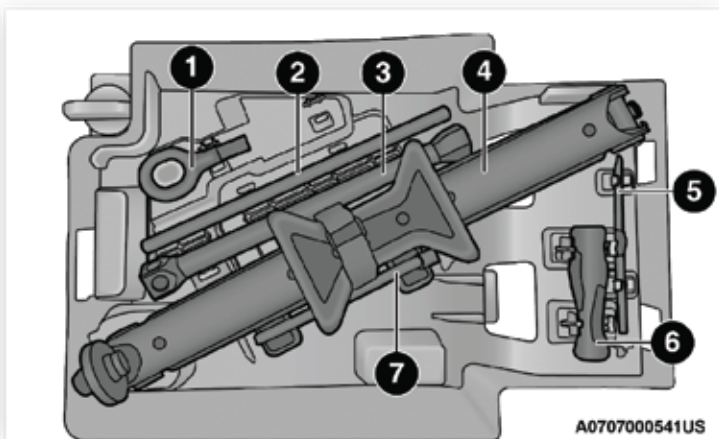
- 1. Unlock Position
- 2. Lock Position



To open the jack kit container, you must push the container's release to separate the top and bottom.



Container Release



Jacking Tools

- 1. Tow Eye
- 2. Wrench Handle
- 3. Lug Bolt Adapter
- 4. Jack
- 5. Reversible Tool
- 6. Tool Handle
- 7. Winch Extension