

2021 Ram Promaster

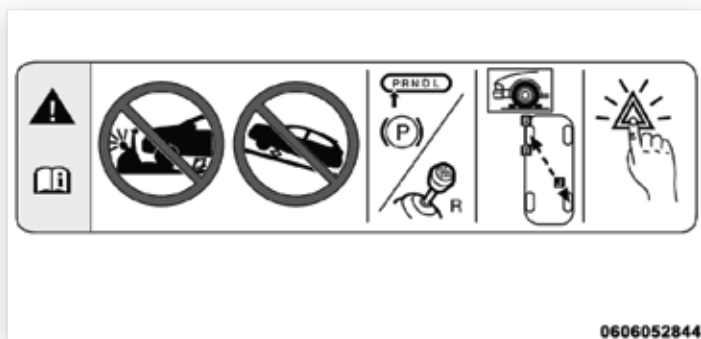
Jacking Instructions



WARNING:

Carefully follow these tire changing warnings to help prevent personal injury or damage to your vehicle:

- Always park on a firm, level surface as far from the edge of the roadway as possible before raising the vehicle.
- Turn on the Hazard Warning Flashers.
- Apply the parking brake firmly and place an automatic transmission in PARK; a manual transmission in REVERSE.
- Block the wheel diagonally opposite of the wheel that is to be raised.
- Never start or run the engine with the vehicle on a jack.
- Do not let anyone sit in the vehicle when it is on a jack.
- Do not get under the vehicle when it is on a jack. If you need to get under a raised vehicle, take it to a service center where it can be raised on a lift.
- Only use the jack in the positions indicated and for lifting this vehicle during a tire change.
- If working on or near a roadway, be extremely careful of motor traffic.
- To assure that spare tires, flat or inflated, are securely stowed, spares must be stowed with the valve stem facing the ground.



Jack Warning Label

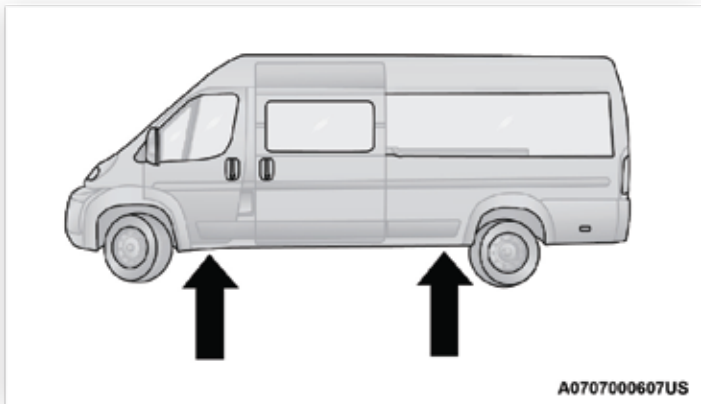
CAUTION:

Do not attempt to raise the vehicle by jacking on locations other than those indicated in the Jacking Instructions for this vehicle.



Assembled Jack

- 1 Loosen (but do not remove) the wheel lug bolts by turning them counterclockwise one turn while the wheel is still on the ground.
- 2 There are two jack engagement locations on each side of the vehicle body.



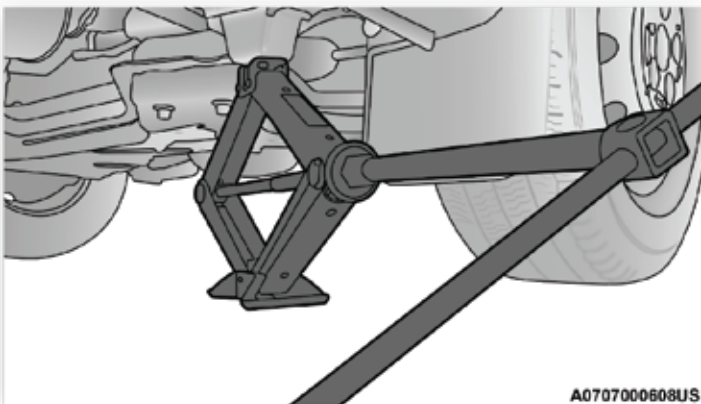
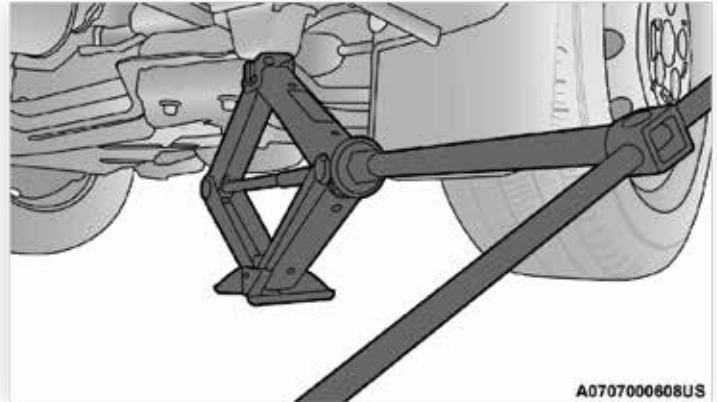
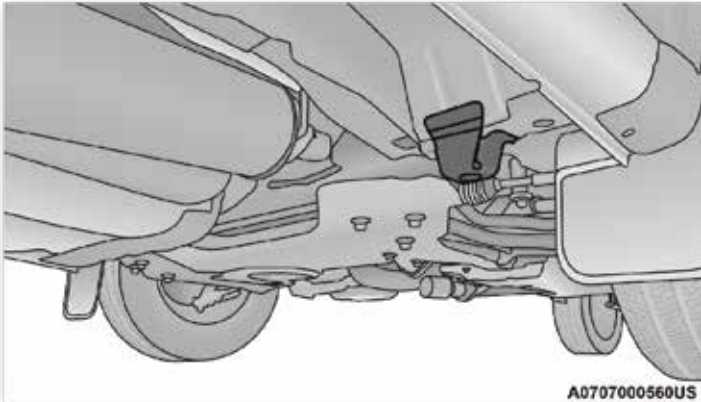
Jacking Engagement Locations



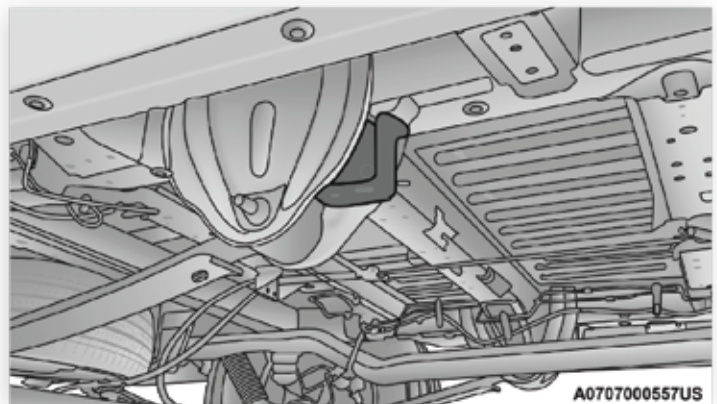
CAUTION:

Do not attempt to raise the vehicle by jacking on locations other than those indicated.

Note: The rear jacking location is located in front of the rear tire and in front of the leaf spring mount.



Rear Lifting Point



Rear Jacking Location

Note: The front jacking location is located behind the front tire and in front of the driver/passenger door.

WARNING:

Being under a jacked-up vehicle is dangerous. The vehicle could slip off the jack and fall on you. You could be crushed. Never get any part of your body under a vehicle that is on a jack. If you need to get under a raised vehicle, take it to a service center where it can be raised on a lift.

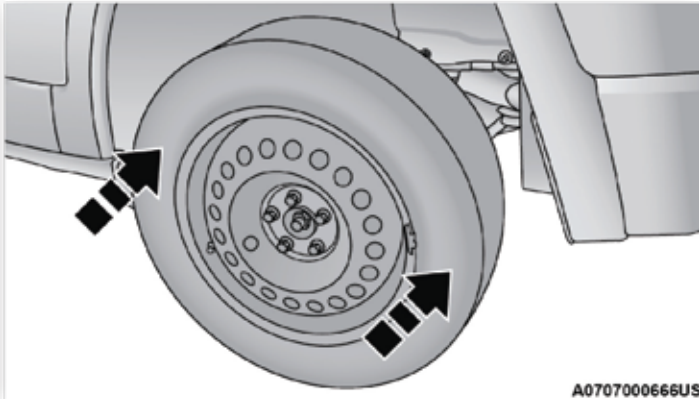
- 3 Place the wrench handle and lug bolt adapter on the jack screw and turn clockwise until the jack head is properly engaged in the described location. **Do not raise the vehicle until you are sure the jack is securely engaged.**
- 4 Raise the vehicle by turning the jack screw clockwise, using the wrench handle and lug bolt adapter. Raise the vehicle only until the tire just clears the surface and enough clearance is obtained to install the spare tire. Minimum tire lift provides maximum stability.



WARNING:

Raising the vehicle higher than necessary can make the vehicle less stable. It could slip off the jack and hurt someone near it. Raise the vehicle only enough to remove the tire.

- 5 Remove the wheel lug bolts. For vehicles with wheel covers, remove the cover from the wheel by hand. Do not pry the wheel cover off. Then pull the wheel off the hub.
- 6 Install the spare tire. Lightly tighten the wheel lug bolts.



Mounting Spare Tire

WARNING:

To avoid the risk of forcing the vehicle off the jack, do not tighten the wheel nuts fully until the vehicle has been lowered. Failure to follow this warning may result in serious injury.

CAUTION:

Be sure to mount the spare tire with the valve stem facing outward. The vehicle could be damaged if the spare tire is mounted incorrectly.

Note: Do not install the wheel cover on the spare tire.

- 7 Lower the vehicle by turning the jack screw left.
- 8 Lower the jack to its fully-closed position.
- 9 Stow the damaged wheel/spare tire with the cable and wheel spacer before driving the vehicle.
- 10 Install the winch extension and **rotate the wrench handle clockwise until the winch mechanism operator hears "3 clicks" from the device to indicate the wheel is properly stowed under the vehicle.**
- 11 Stow the jack, jack handle and winch handle tools back in the storage compartment.

WARNING:

A loose tire or jack thrown forward in a collision or hard stop could endanger the occupants of the vehicle. Always stow the jack parts and the spare tire in the places provided. Have the deflated (flat) tire repaired or replaced immediately.

- 12 Check the spare tire pressure as soon as possible. Correct the tire pressure, as required.

For vehicles with aluminum wheels:

The center cap must be pushed out from the rear to install the retainer and stow the tire.