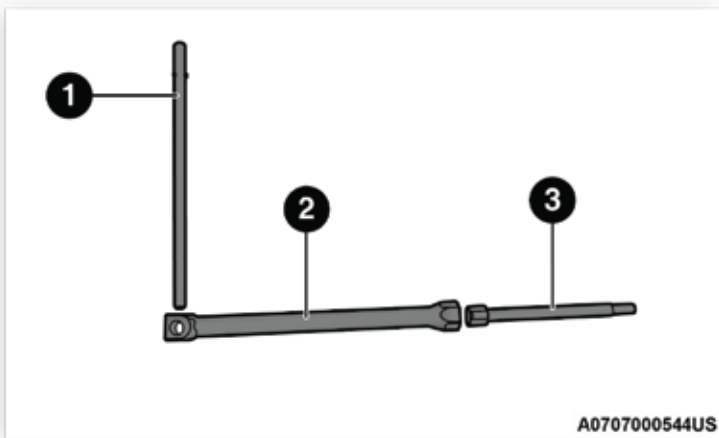


2021 Ram Promaster

Spare Tire Removal

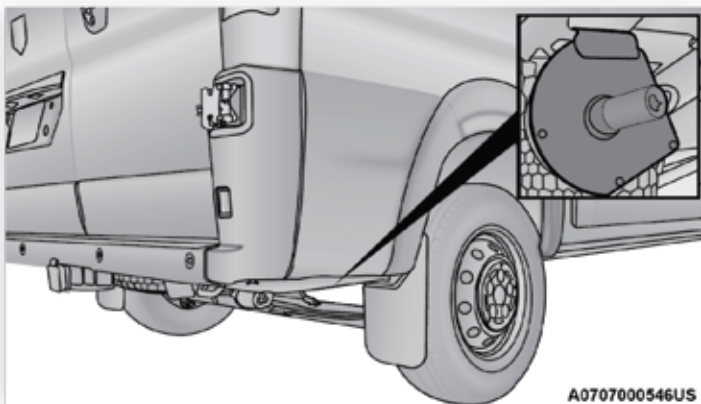


- ① Remove the spare tire before attempting to jack up the vehicle. Attach the lug bolt adapter to the winch extension and insert it into the winch mechanism.

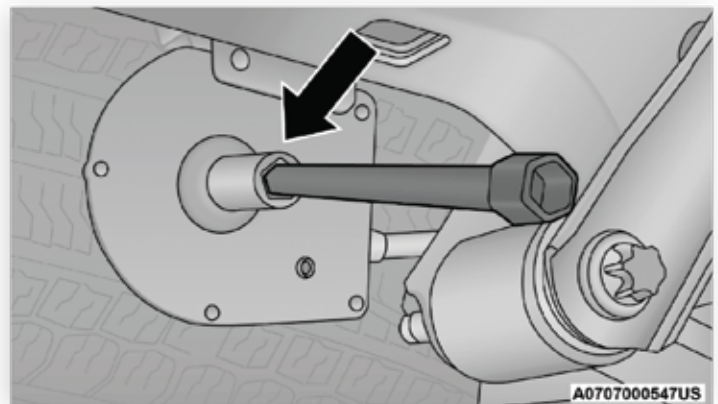


Jack Tools

- 1. Wrench Handle
- 2. Lug Bolt Adapter
- 3. Winch Extension



Release Lever



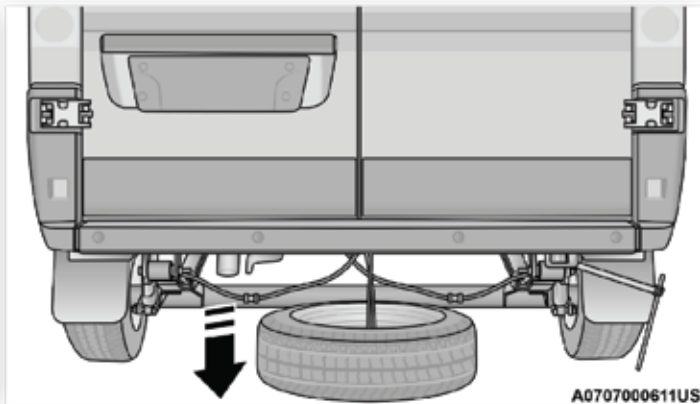
Winch Extension

The winch mechanism is located under the rear of the vehicle to the right of the spare tire.



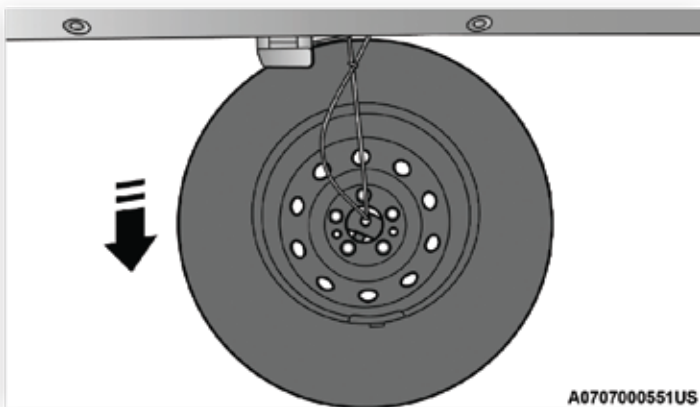
- 2 Rotate the wheel wrench handle counterclockwise until the spare tire is on the ground with enough cable slack to allow you to pull it out from under the vehicle.

Note: The winch mechanism is designed for use with the winch extension tube only. Use of an air wrench or other power tools is not recommended and can damage the winch.



Lowering Spare Tire

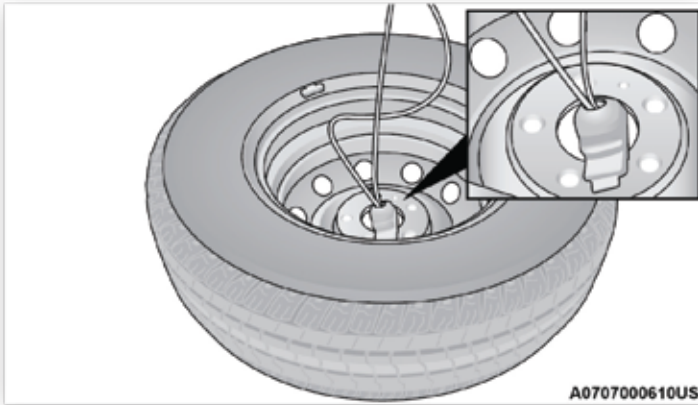
- 3 Pull the spare tire out from under the vehicle to gain access to the spare tire retainer.



Spare Tire

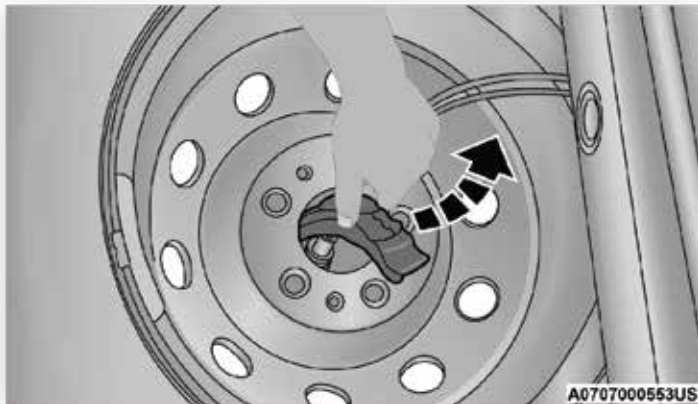


- ④ Lift the spare tire with one hand to give clearance to tilt the retainer at the end of the cable.



Lifting Spare Tire

- ⑤ Pull the retainer through the center of the wheel.



Lowering Spare Tire