



Can-Am Ryker Series

How to Transport the Vehicle

TRANSPORTING THE VEHICLE

If your vehicle needs to be transported, it should be carried on a flatbed trailer of the proper size and capacity.

CAUTION
If you need to push the vehicle, do it from the right-hand side to be able to reach the brake pedal. When pulling the vehicle backwards, be careful that the front wheel does not roll over your feet.

NOTICE
Do not tow this vehicle — towing can seriously damage the vehicle drive system.

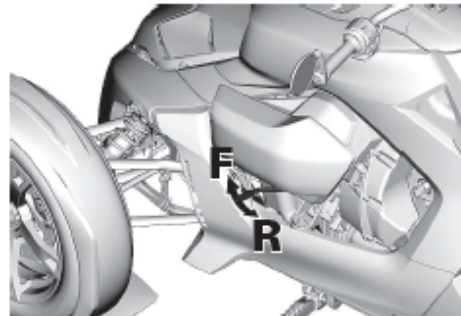
NOTICE
Avoid using chains to tie the vehicle — they may damage the surface finish or plastic components.

NOTICE
Always transport the vehicle with the front fascia towards the towing vehicle.

When contacting a towing or transporting service, be sure to ask if they have a flatbed trailer, loading ramp or power ramp to safely lift the vehicle and tie-down straps. Ensure the vehicle is properly transported as specified in this section.

To Load the Vehicle Manually

1. Make sure the transmission lever is in Forward position



F = Forward
R = Reverse

2. Release the park position lever.
3. Push the vehicle on the trailer or the ramp.
4. Engage the park position lever.
5. For each wheels, insert a strap through the rim and firmly secure it to the trailer or the ramp.

NOTICE
To avoid damaging the vehicle, do not use other attachment points to secure the vehicle



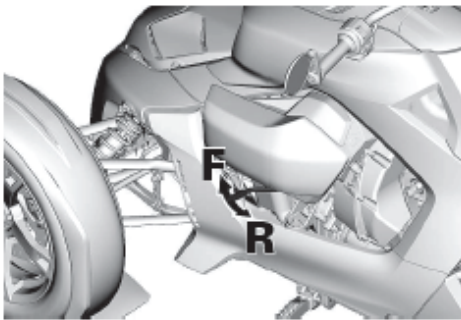
FRONT WHEEL



REAR WHEEL

To Load the Vehicle Using a Winch

1. Make sure the transmission lever is in Forward position



F = Forward
R = Reverse

- Put a strap around each lower suspension arm.



- Attach the straps to the winch cable.

NOTICE

Make sure using straps long enough to avoid damaging the front of the vehicle.



- Release the park position lever.
- Active the winch to pull the vehicle on the trailer or the ramp.
- Engage the park position lever.
- Detach the winch and remove straps from lower suspension arms.

⚠ WARNING

Never use the winch to secure the vehicle.

- For each wheels, insert a strap through the rim and firmly secure it to the trailer or the ramp.

NOTICE

To avoid damaging the vehicle, do not use other attachment points to secure the vehicle



FRONT WHEEL



REAR WHEEL